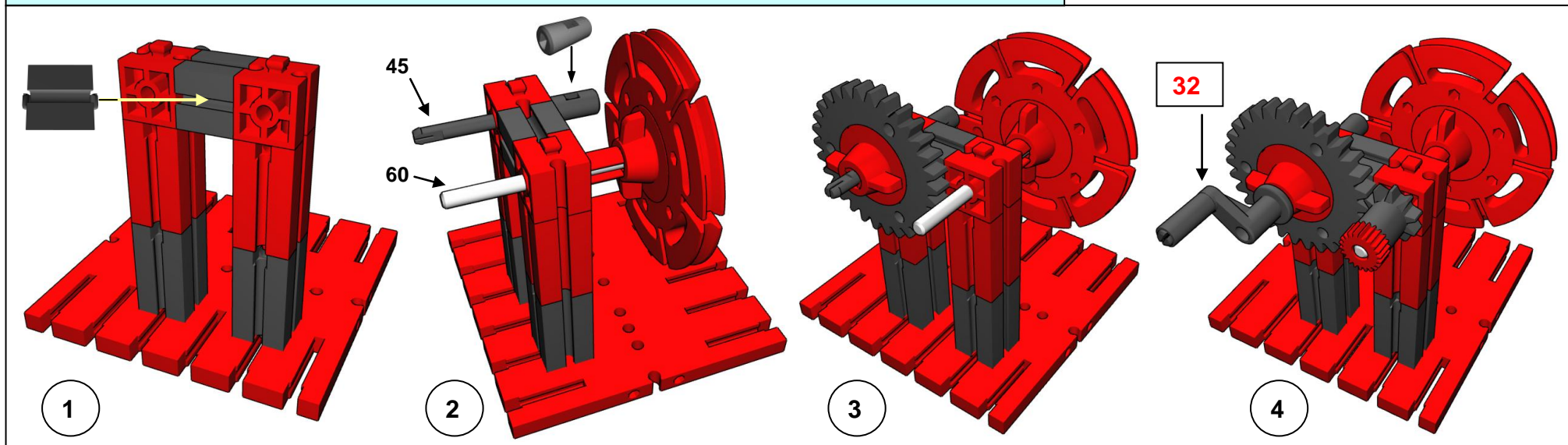


1.1.1.3 Overbrenging 1:3 Overbrengingsverhouding $10Z:30Z = 1:3 = 0,33$



1.1.1.4 Overbrenging 1:4 Overbrengingsverhouding $10Z:40Z = 1:4 = 0,25$

